

**PLEASE CHECK WWW.MOLEX.COM FOR LATEST PART INFORMATION**

**Part Number:** **0039000302**  
**Status:** **Active**  
**Overview:** standard\_093  
**Description:** 2.36mm (.093") Diameter, Standard .093" Pin and Socket Crimp Terminal, Series 1380, Male, with Tin (Sn) over Copper Plated Brass Contact, 18-24 AWG, Bag

**Documents:**

[Drawing \(PDF\)](#) [Product Specification PS-1380-003 \(PDF\)](#)  
[Product Specification PS-1380-002 \(PDF\)](#) [RoHS Certificate of Compliance \(PDF\)](#)

**General**

Product Family Crimp Terminals  
 Series 1380  
 Crimp Quality Equipment Yes  
 Overview standard\_093  
 Product Name Standard .093"

**Physical**

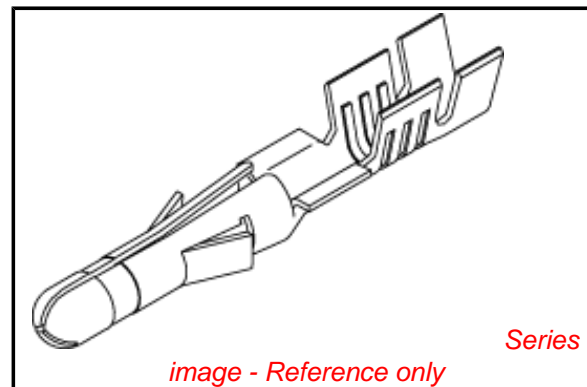
Durability (mating cycles max) 25  
 Gender Male  
 Material - Metal Brass  
 Material - Plating Mating Tin  
 Material - Plating Termination Tin  
 Packaging Type Bag  
 Plating min: Mating (µin) 35  
 Plating min: Mating (µm) 0.88  
 Plating min: Termination (µin) 35  
 Plating min: Termination (µm) 0.88  
 Termination Interface: Style Crimp or Compression  
 Wire Insulation Diameter 1.50-3.10mm (.059-.122")  
 Wire Size AWG 18, 20, 22, 24  
 Wire Size mm<sup>2</sup> N/A

**Material Info**

Old Part Number 1380TL

**Reference - Drawing Numbers**

Product Specification PS-1380-002, PS-1380-003, RPS-1380-002  
 Sales Drawing SD-1380\*



**EU RoHS**

**ELV and RoHS Compliant**  
**REACH SVHC Contains SVHC: No**  
**Halogen-Free Status**

**China RoHS**



**Need more information on product environmental compliance?**

Email [productcompliance@molex.com](mailto:productcompliance@molex.com)  
 For a multiple part number RoHS Certificate of Compliance, [click here](#)

Please visit the [Contact Us](#) section for any non-product compliance questions.

**Search Parts in this Series**

1380Series

**Application Tooling | FAQ**

*Tooling specifications and manuals are found by selecting the products below. Crimp Height Specifications are then contained in the Application Tooling Specification document.*

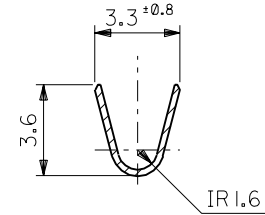
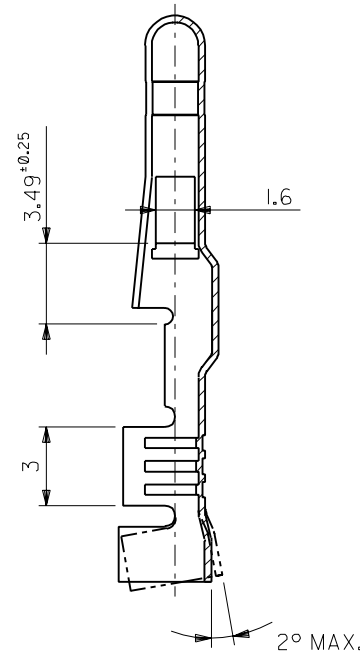
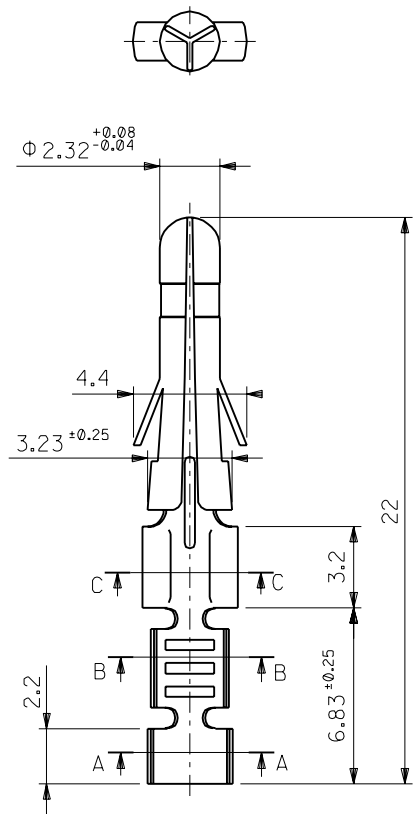
**Global**

Description	Product #
Hand Crimp Tool	<a href="#">0638191200</a>
Extraction Tool	<a href="#">0011030006</a>

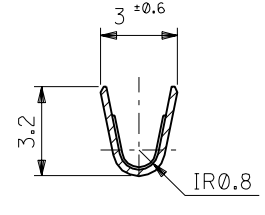
**Japan**

Description	Product #
Hand Crimp Tool	<a href="#">0011260006</a>
JHTR1031C	

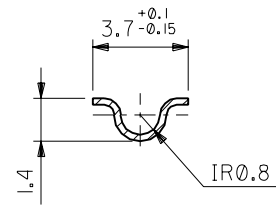
DWG. NO. SD-1380\*



SECT. A-A



SECT. B-B



SECT. C-C

ニッケル (2 μm MIN.) 下地 金 (0.35 μm MIN.) OVER	39-00-0306	I380GL	バラ端子 LOOSE
GOLD (0.35 μm MIN.) OVER NICKEL (2 μm MIN.)	39-00-0305	I380G	連鎖状端子 CHAIN
銅 (3 μm MIN.) 下地 錫 (0.5 μm MIN.)	39-00-0304	I380T2L	バラ端子 LOOSE
TIN (0.5 μm MIN.) OVER COPPER (3 μm MIN.)	39-00-0303	I380T2	連鎖状端子 CHAIN
銅 (0.5 μm MIN.) 下地 錫 (0.9 μm MIN.)	39-00-0302	I380TL	バラ端子 LOOSE
TIN (0.9 μm MIN.) OVER COPPER (0.5 μm MIN.)	39-00-0283	I380T	連鎖状端子 CHAIN
メッキ PLATING	EDP.NO.	ENG.NO.	形状 FORM

注記 NOTES:  
1. 一般公差 : ±0.4  
GENERAL TOLERANCES: ±0.4

材料 MATERIAL 黄銅 BRASS 0.264 t		MOLEX-JAPAN CO.,LTD. 日本モレックス株式会社	
仕上げ FINISH		REVISE ONLY ON CAD SYSTEM	
適用電線範囲 WIRE RANGE AWG#18-#24		TITLE 名称	
被覆外径 INS. RANGE Φ1.5 ~ 3.1		.093 DIA. MALE TERM.	
DRAWN BY '93/06/18 H.HASEGAWA CHK'D BY '93/06/18 H.HIRAMOTO		DWG. NO.	REV
APP'D BY '93/06/18 M.FUKUSHIMA 尺 度 SCALE 5 : 1		SD-1380*	H

角度 ANGLE	±30
30 以上 OVER	±0.3
10 以上 OVER 30 未満 UNDER	±0.25
10 未満 UNDER	±0.2
一般公差 GENERAL TOLERANCES	±0.4

記号 LTR	変更内容 REVISION RECORD	DR. CHK.	日付 DATE
H	REDRAWN 再作図 (J30539)	h.h	'93/06/18